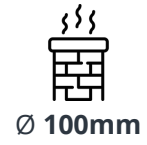
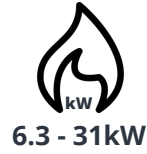




A+ **KOMPACT MODEL 34 - BOILER**



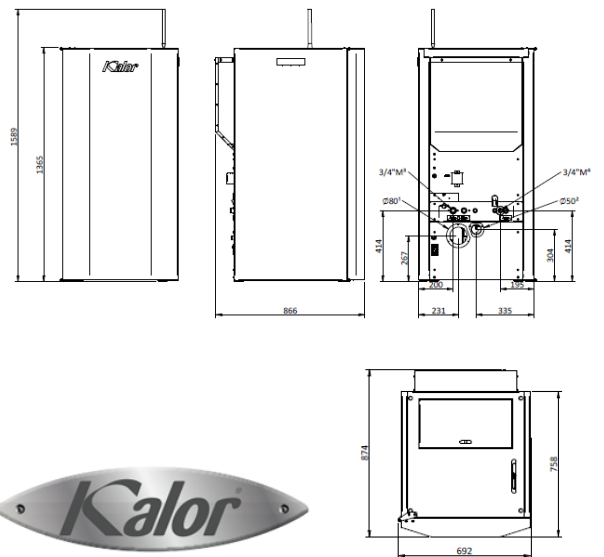
A compact boiler for its power output, this 31kW unit will conveniently fit in a boiler house, plant room, shed or even a utility room. It surprises with its generous hopper capacity. With easy installation and advanced control for the customer, this boiler is a superb option, whether for a new build or an existing home. This Kalor Kompact boiler offers high efficiency and is superb value for money.

**KEY FEATURES**

- Super-compact design
- Automatic cleaning of firepot
- Manual heat exchanger cleaning lever
- Control by room temperature or power level
- Multiple safety sensors and alarms
- Wi-fi connection is an optional extra
- Connect to home heating controls if required
- Built-in daily/weekly programming
- Ash compaction available as an optional extra
- Full technical aftersales & maintenance
- 3-year warranty \*
- Maintenance contract available

\* Subject to a maintenance contract, otherwise standard 2 year warranty applies

**TECHNICAL DIAGRAM**



**COLOURS AVAILABLE**



Red

